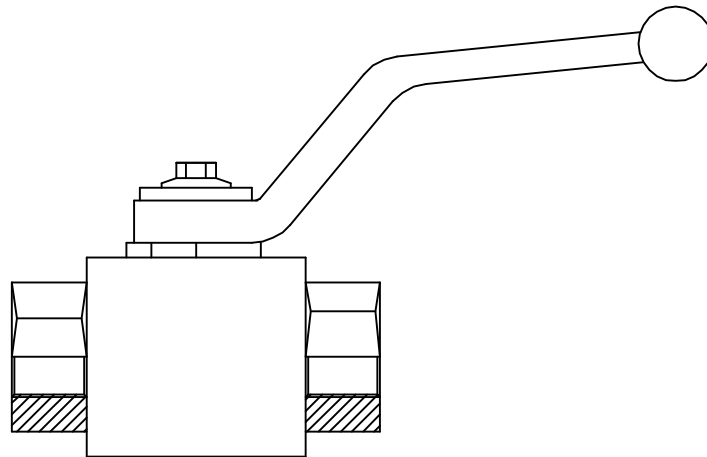
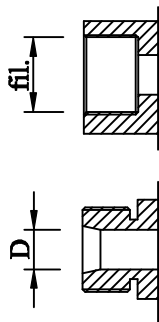


**VALVOLE A SFERA OLEODINAMICHE
in acciaio zincato**

**HYDRAULIC BALL VALVES
in galvanized steel**



Two-way ball valves
Valvola a sfera a due vie
BKHR =fil. gas femmina
BKHR/D =per raccordi DIN 2353

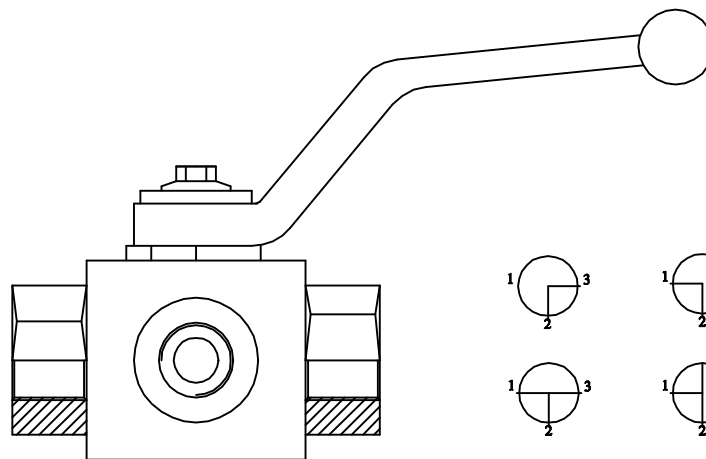


BKHR

fil.	1/4	3/8	1/2	5/8	3/4	1"	1.1/4	1.1/2
press. [bar]	500	500	315	315	350	350	350	350

BKHR/D

D [mm]	8L	10L	12L	15L	18L	22L	28L	35L
press. [bar]	400	400	400	350	350	350	350	350
D[mm]	8S	10S	12S	16S	20S	25S	30S	38S
press. [bar]	-	400	400	350	350	350	350	350



Three-way ball valves
Valvola a sfera a tre vie
BK3 =valvola a sfera a tre vie

BK3

fil.	1/4	3/8	1/2	3/4	1"
press. [bar]	400	400	350	250	250

Disponibili anche valvole a quattro vie.
Also available four-way ball valves