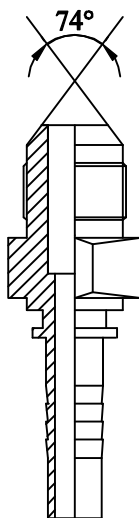
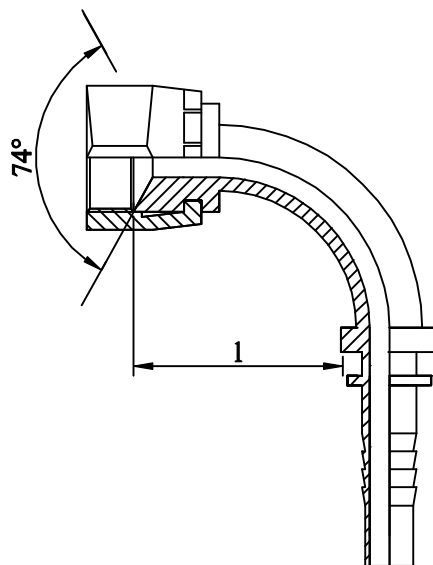
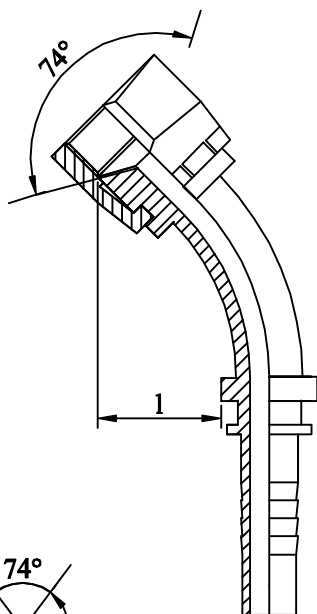
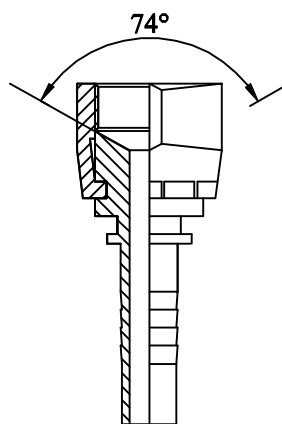


**HYDRAULIC FITTINGS 74° CONE**  
**in galvanized steel and stainless steel AISI 316**

**RACCORDI OLEODINAMICI CONO 74°**  
**in acciaio zincato e inox AISI 316**



**45° female swivel 74° cone**  
**Femmina girevole a 45° cono 74°**  
**LJ =fil. JIC (UNF)**



**90° female swivel 74° cone**  
**Femmina girevole a 90° cono 74°**  
**KJ =fil. JIC (UNF)**

**Male parallel 74° seat**  
**Maschio fil. cilindrica sede conica 74°**  
**GJ =gas JIC (UNF)**

**Female swivel 74° cone**  
**Femmina girevole diritta cono 74°**  
**AJ =fil. JIC (UNF)**

| Diam. tubo<br>I. O. hose | 5       | 6       | 8       | 10      | 12     | 16     | 20        | 25        | 32       | 40       |
|--------------------------|---------|---------|---------|---------|--------|--------|-----------|-----------|----------|----------|
|                          | 3/16    | 1/4     | 5/16    | 3/8     | 1/2    | 5/8    | 3/4       | 1"        | 1.1/4    | 1.1/2    |
| Filettatura<br>thread    | 7/16-20 | 7/16-20 | 9/16-18 | 9/16-18 | 3/4-16 | 7/8-14 | 1.1/16-12 | 1.5/16-12 | 1.5/8-12 | 1.7/8-12 |
|                          |         | 1/2-20  |         | 3/4-16  | 7/8-14 |        | 1.5/16-12 | 1.5/8-12  | 1.7/8-12 |          |
|                          |         | 9/16-18 |         |         |        |        |           |           |          |          |

**N. B.: per la misura l vedere scheda tecnica (for length l see data sheet)**